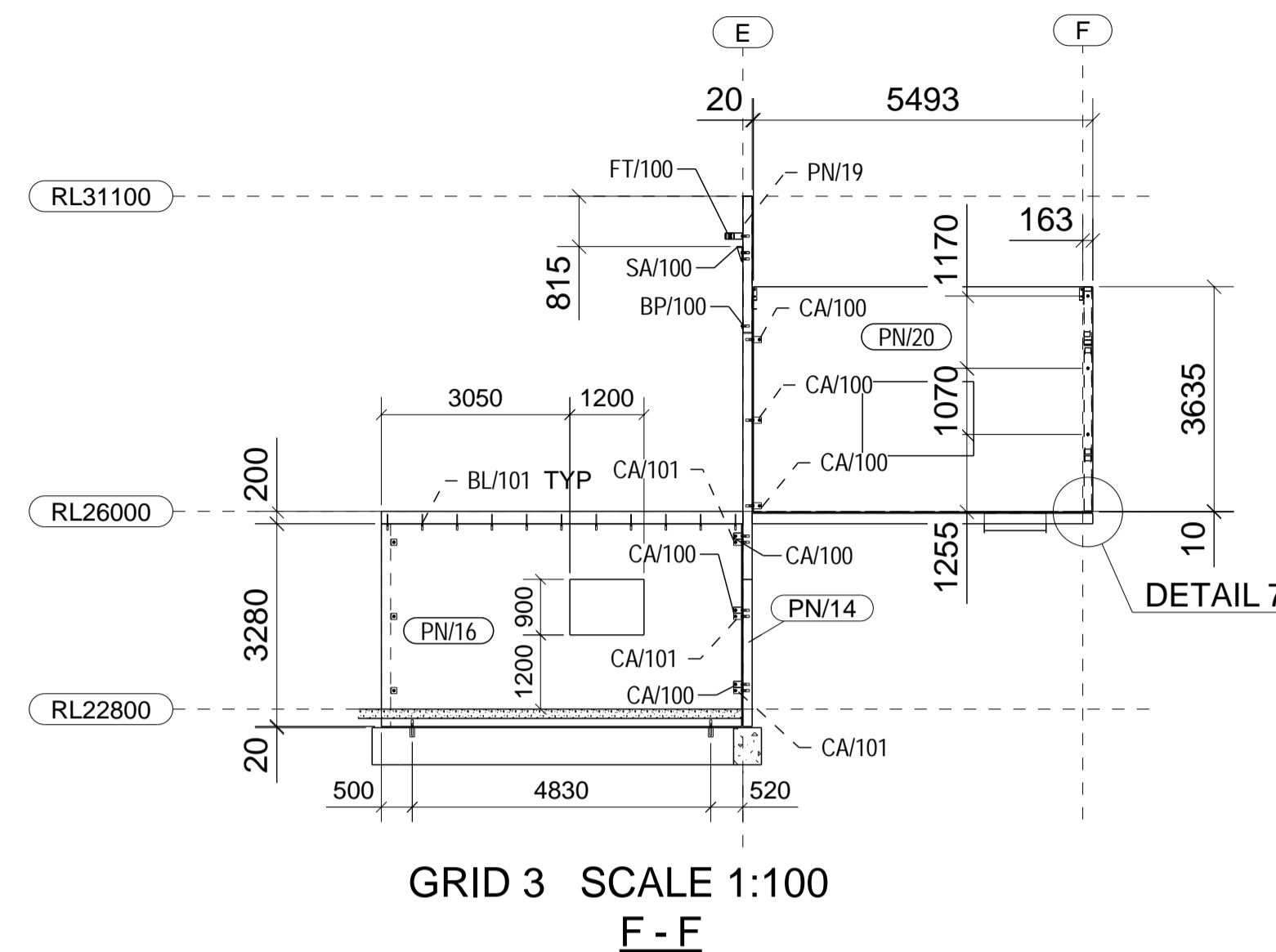
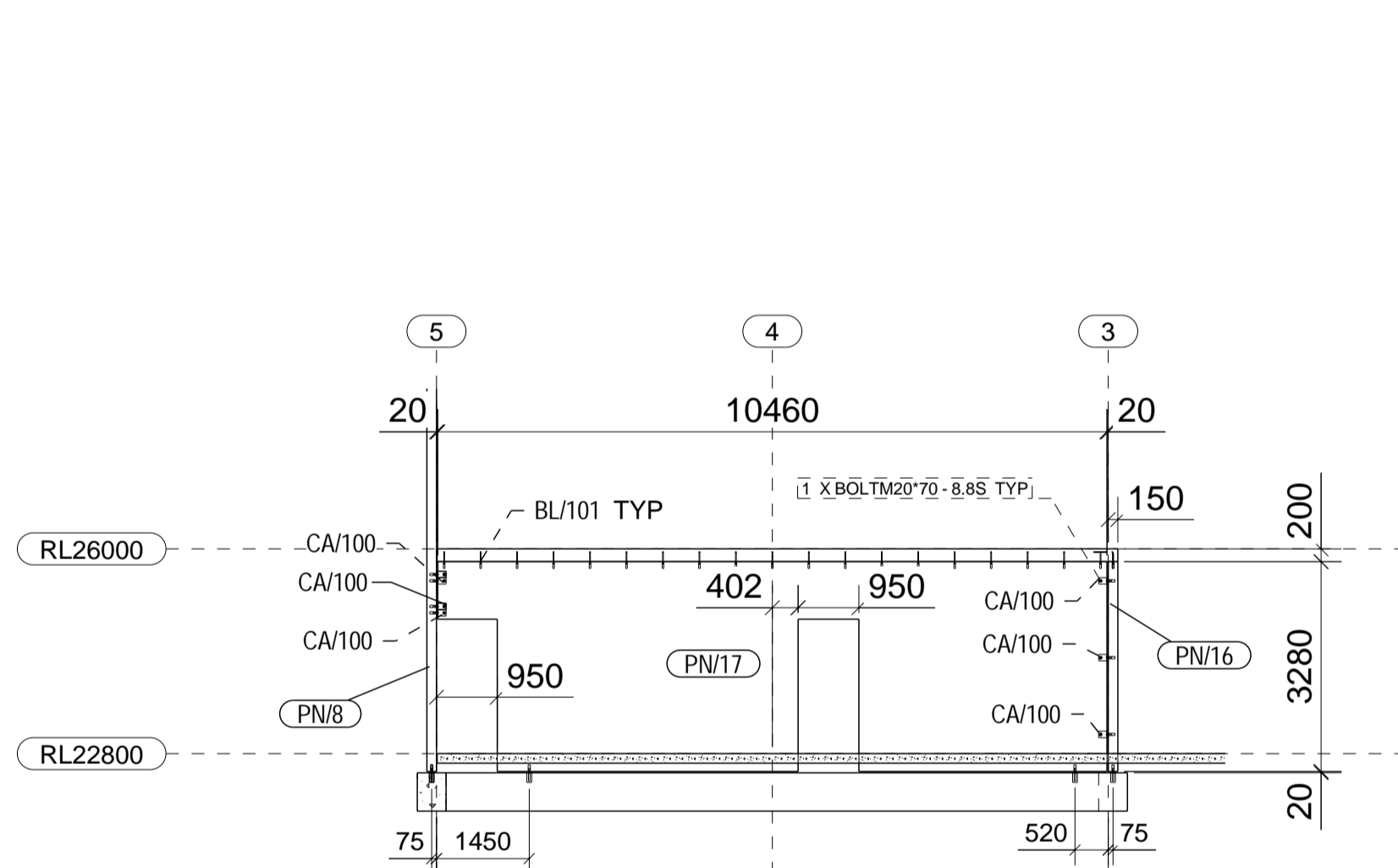


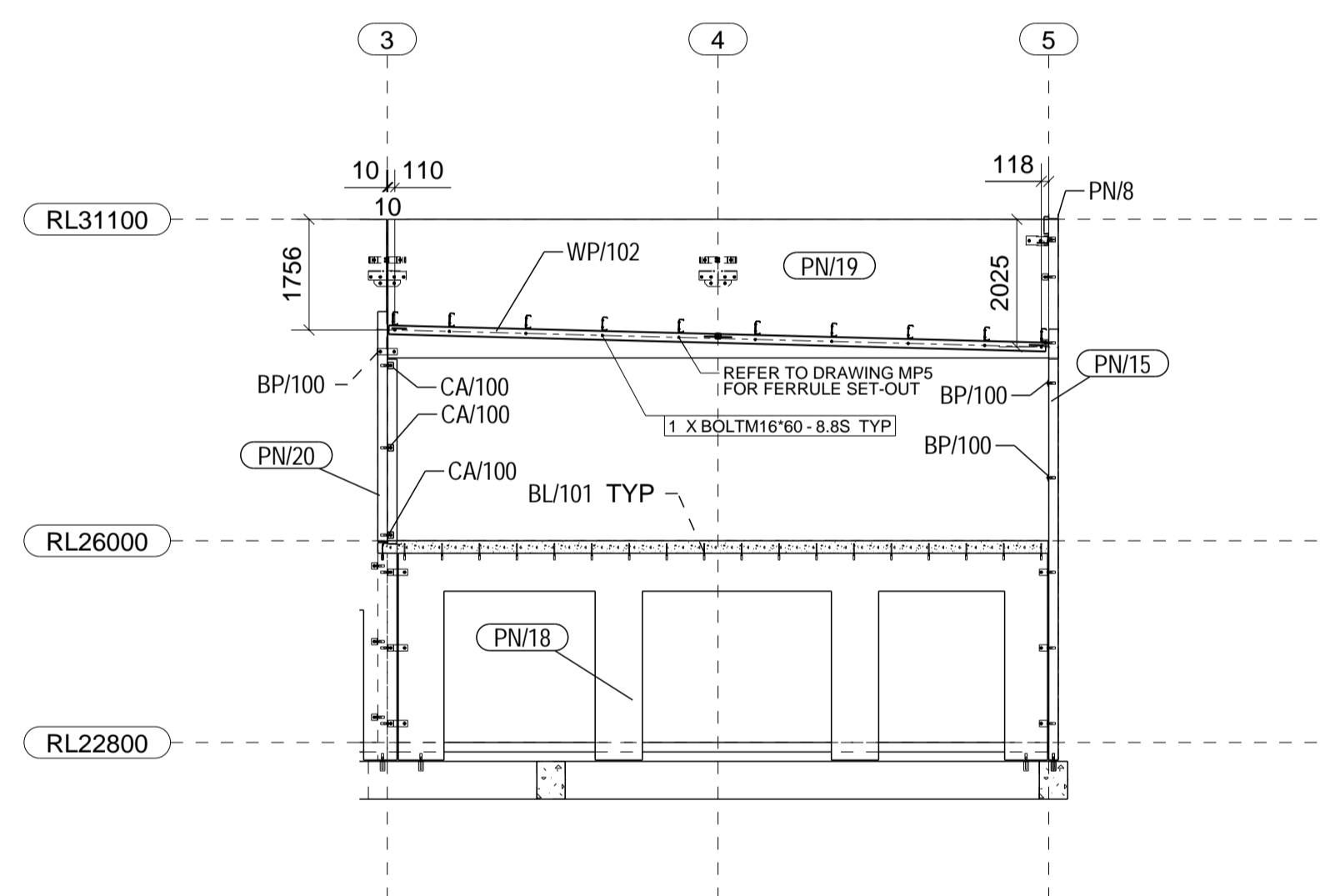
GRID E SCALE 1:100
E-E



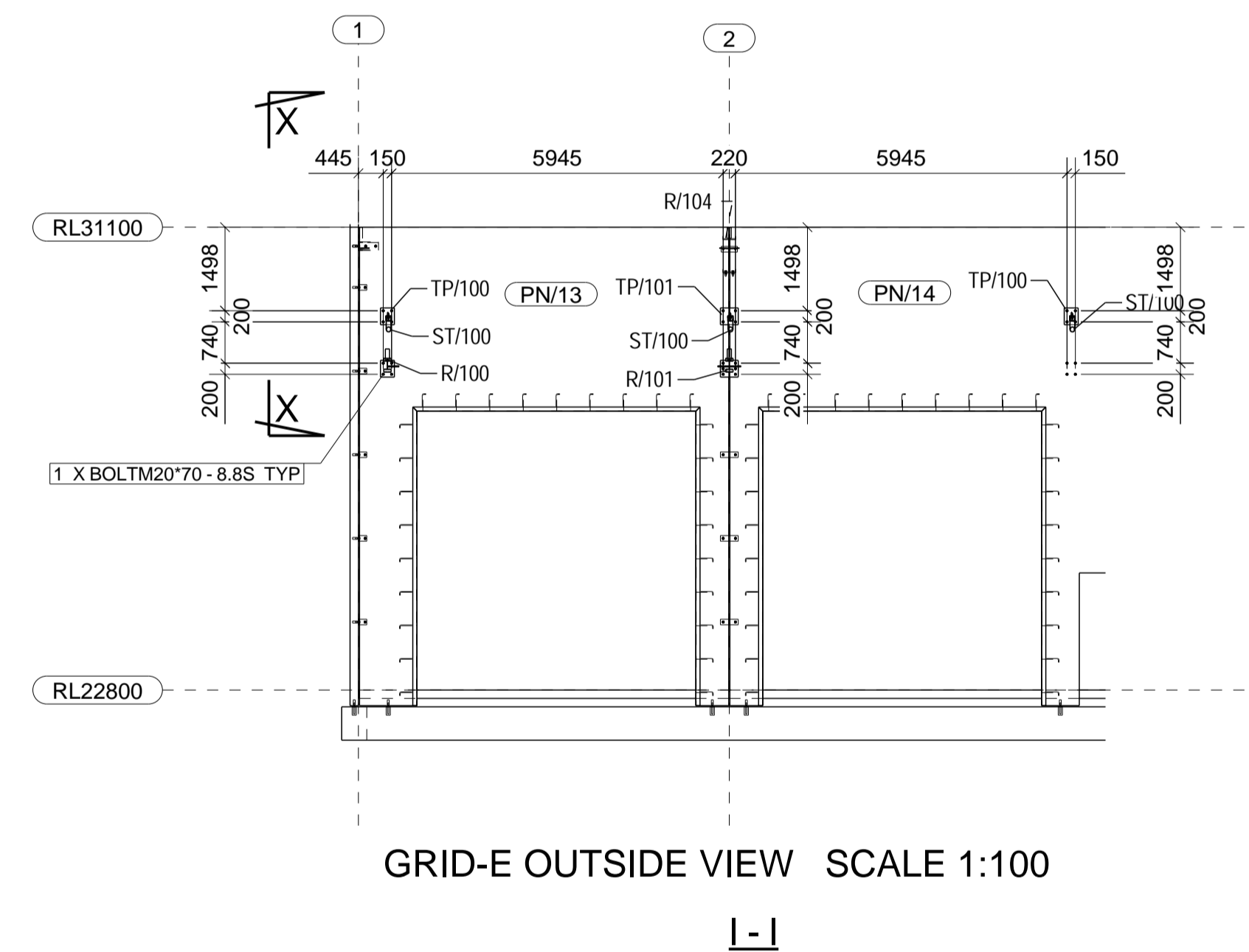
GRID 3 SCALE 1:100
F-F



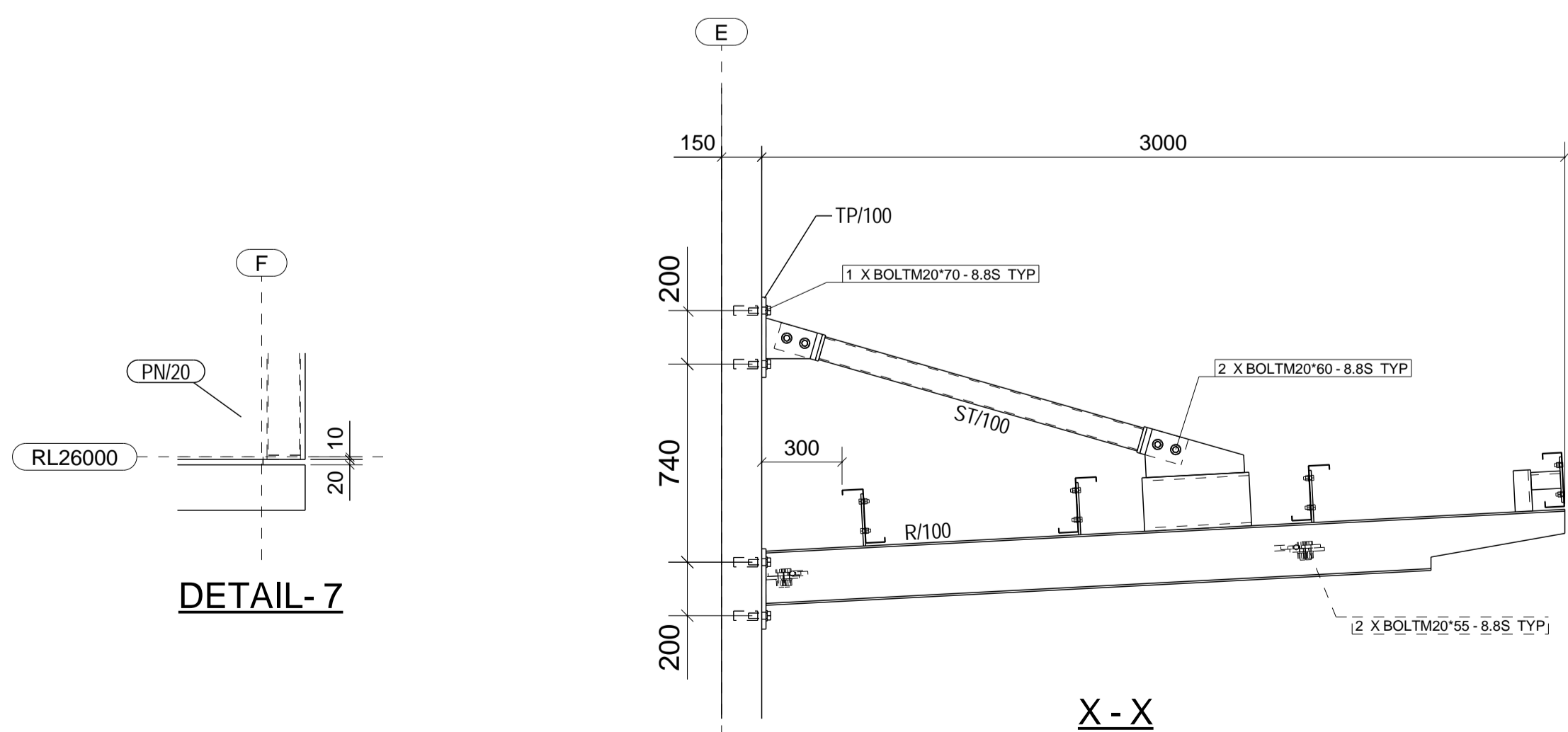
SCALE 1:100
G-G



GRID E SCALE 1:100
H-H



GRID-E OUTSIDE VIEW SCALE 1:100
I-I



DETAIL-7

ELEVATIONS FROM DRAWING MP1

REV	DATE	DESCRIPTION
0	10.10.2016	Issued for construction

CONFIDENTIAL

ATKINS STEELCRAFT PTY LTD
Structural steel Detailing
Yatala, Q.L.D PH: 07 3807 6424

DRAWING TITLE	PANEL & FOOTING ELEVATIONS		
CONTRACT			
MODELLED BY	B.A.	ISSUE DATE	05.10.2017
CONTRACT NO	100	DRAWING No	
SCALE	1:20	1:100	MP3
			REV O