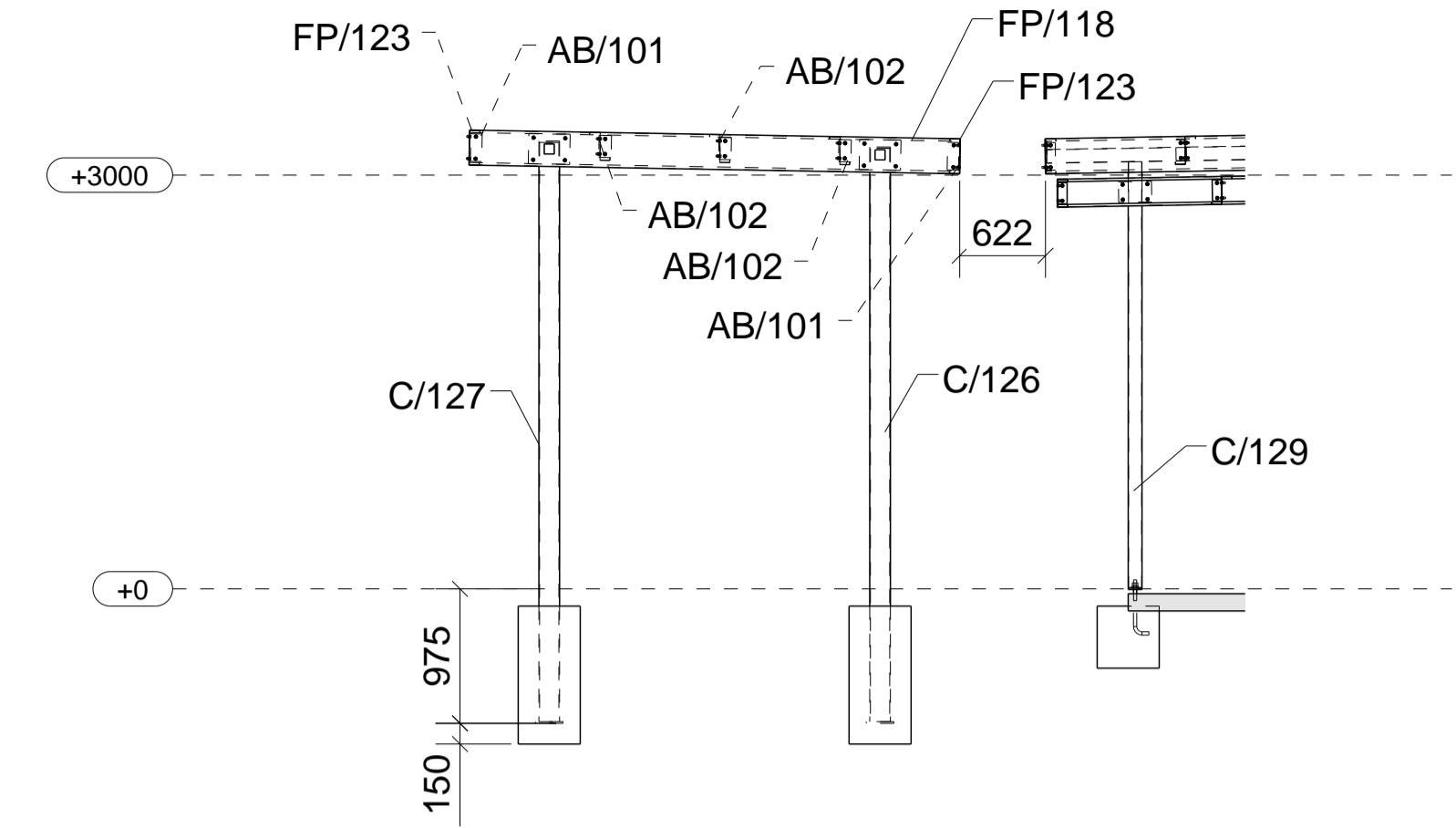
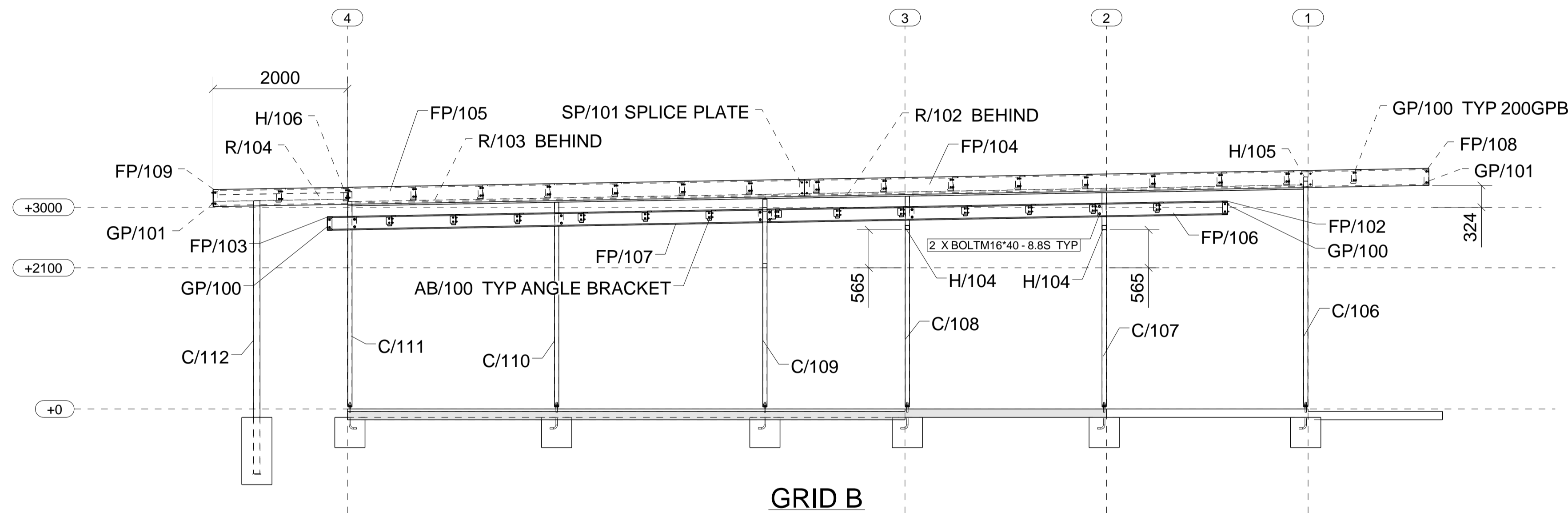


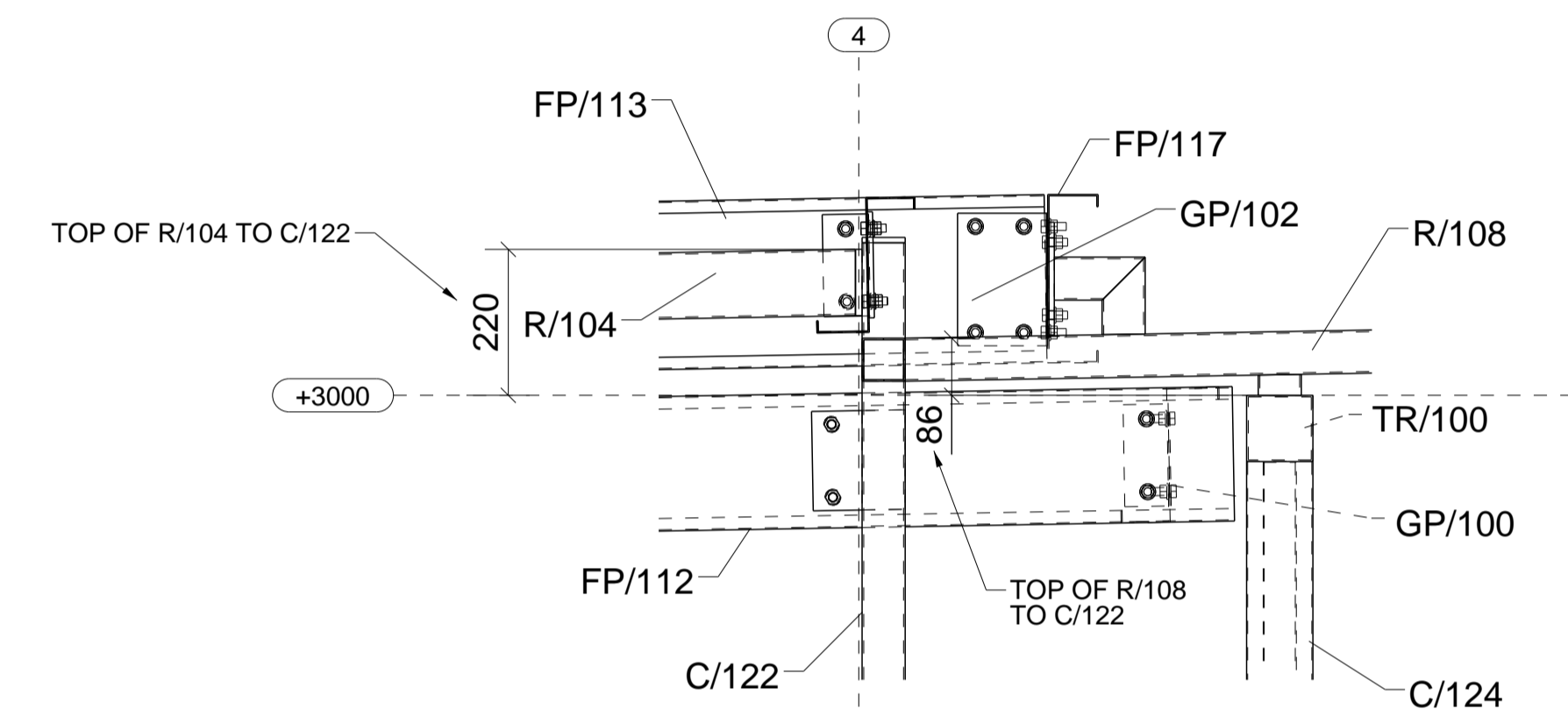
GRID A  
1-1 SCALE 1:50



4-4 SCALE 1:50

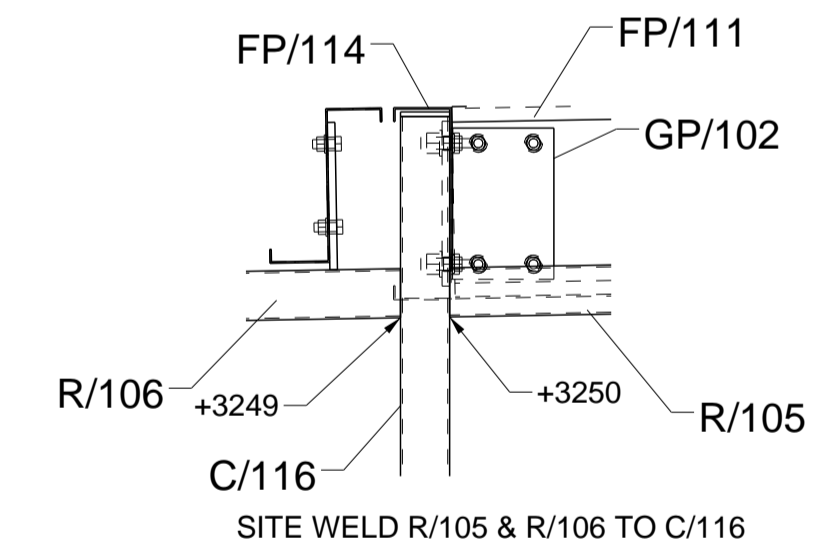


GRID B  
2-2 SCALE 1:50



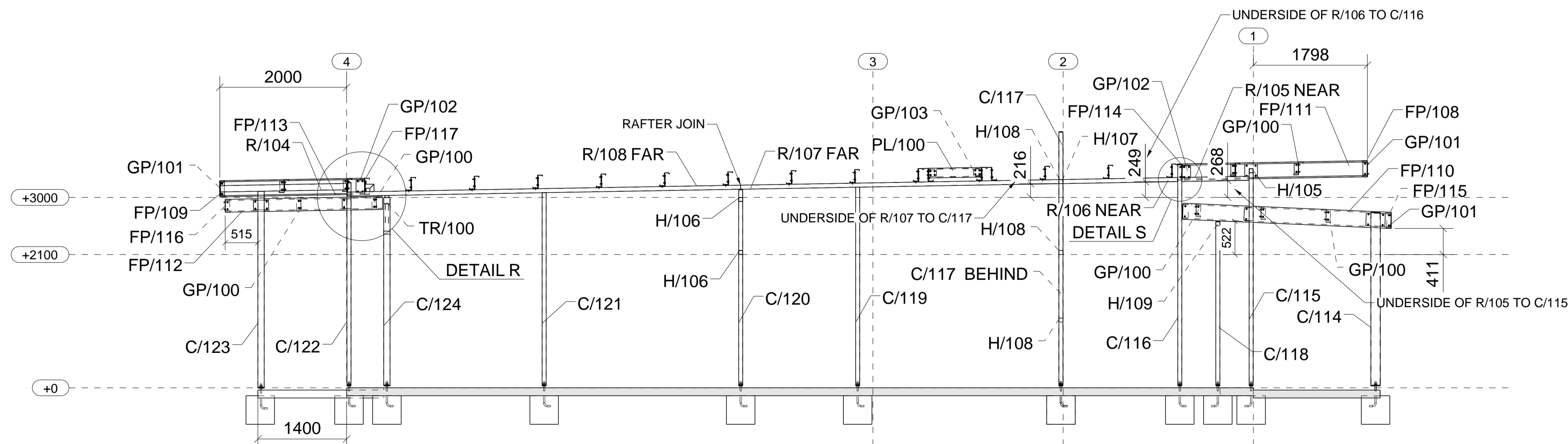
SITE WELD R/104 & R/108 TO C/122

DETAIL-R



SITE WELD R/105 & R/106 TO C/116


DETAIL-S



GRID C  
3-3 SCALE 1:50

REV	DATE	DESCRIPTION
0	28.09.2017	For Construction

CONFIDENTIAL		 ATKINS STEELCRAFT PTY LTD Structural steel Detailing Yatala, Q.L.D. PH: 07 3807 6424	
DRAWING TITLE	ELEVATIONS FROM MP1 & MP2		
CONTRACT	QUILPIE AIRPORT		
MODELLED BY	B.A	ISSUE DATE	28.09.2017
CONTRACT NO	100	DRAWING No	
SCALE	1:10 1:50	MP3	REV O