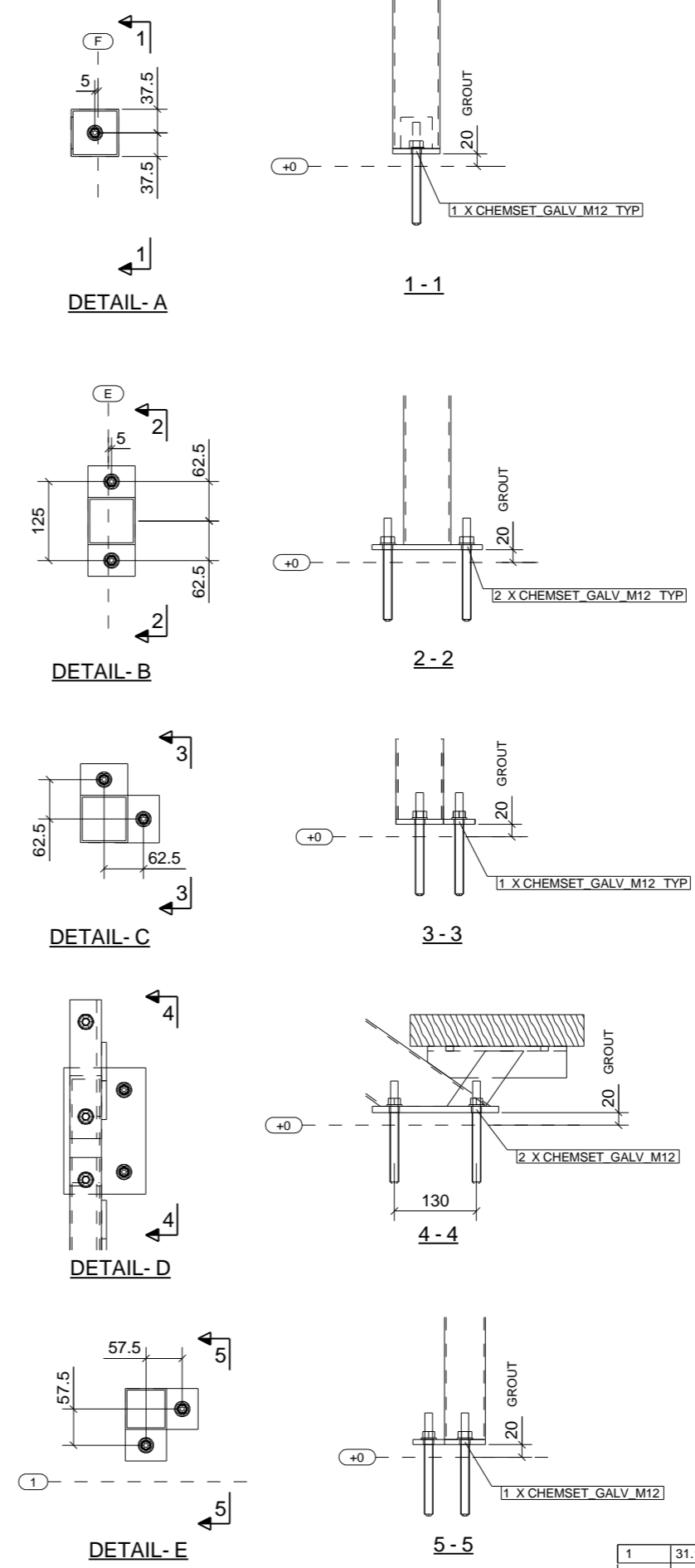


NOTE:
ALL BOLTS M12CHEMSETS 125MM EMBEDMENT.
20MM GROUT TYPICAL.



1	31.10.2015	For Construction
REV	DATE	DESCRIPTION
CONFIDENTIAL		ASC ATKINS STEELCRAFT PTY LTD Structural steel Detailing Yatala, Q.L.D PH: 07 3807 6424
DRAWING TITLE	MEZZANINE HD BOLT PLAN	
CONTRACT	Quilpie Shire Depot	
MODELLED BY	B.A.	ISSUE DATE 31.10.2015
CONTRACT NO	132098	DRAWING No
SCALE	1:5 1:80	MP7
		REV
		1