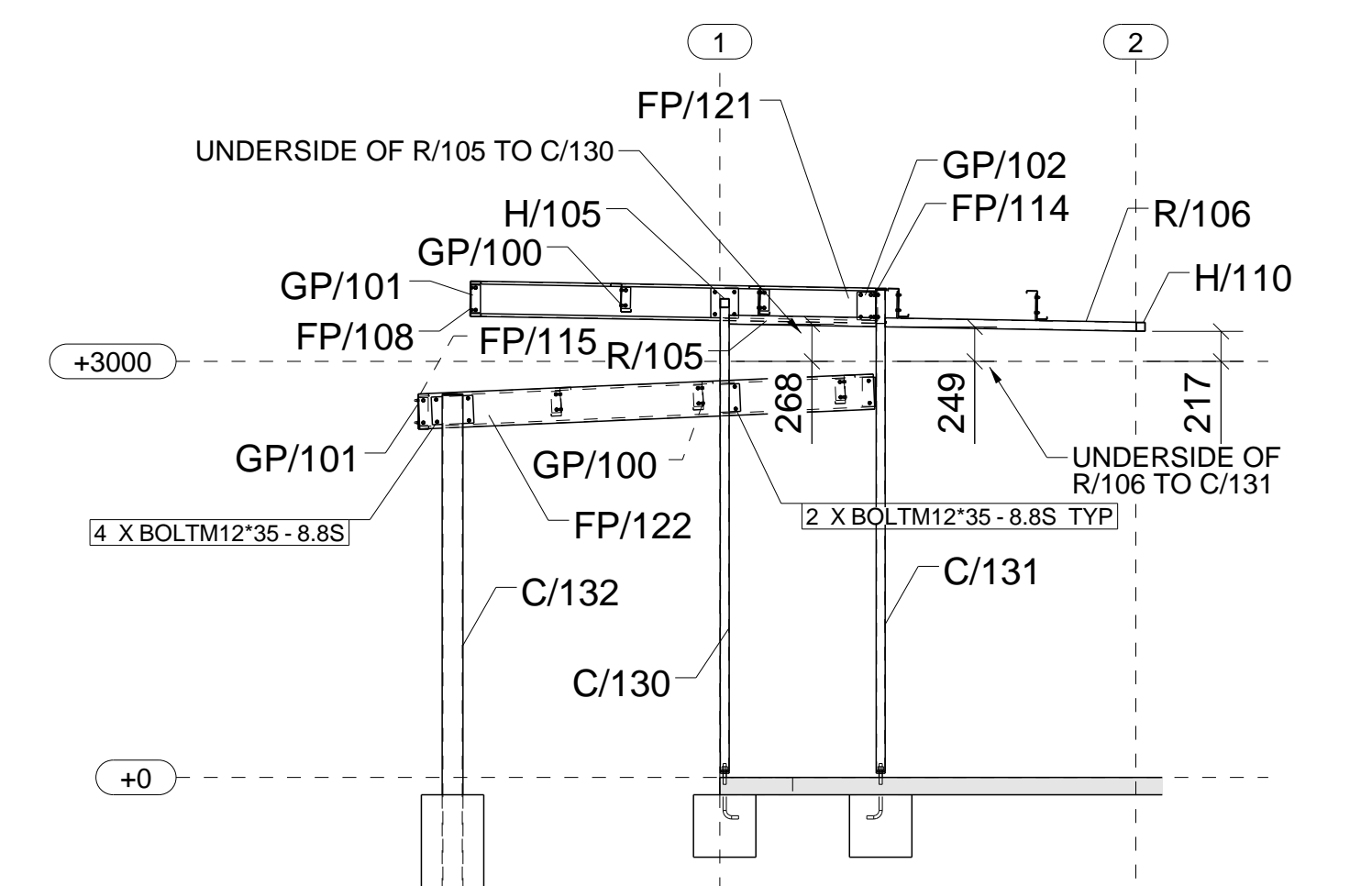
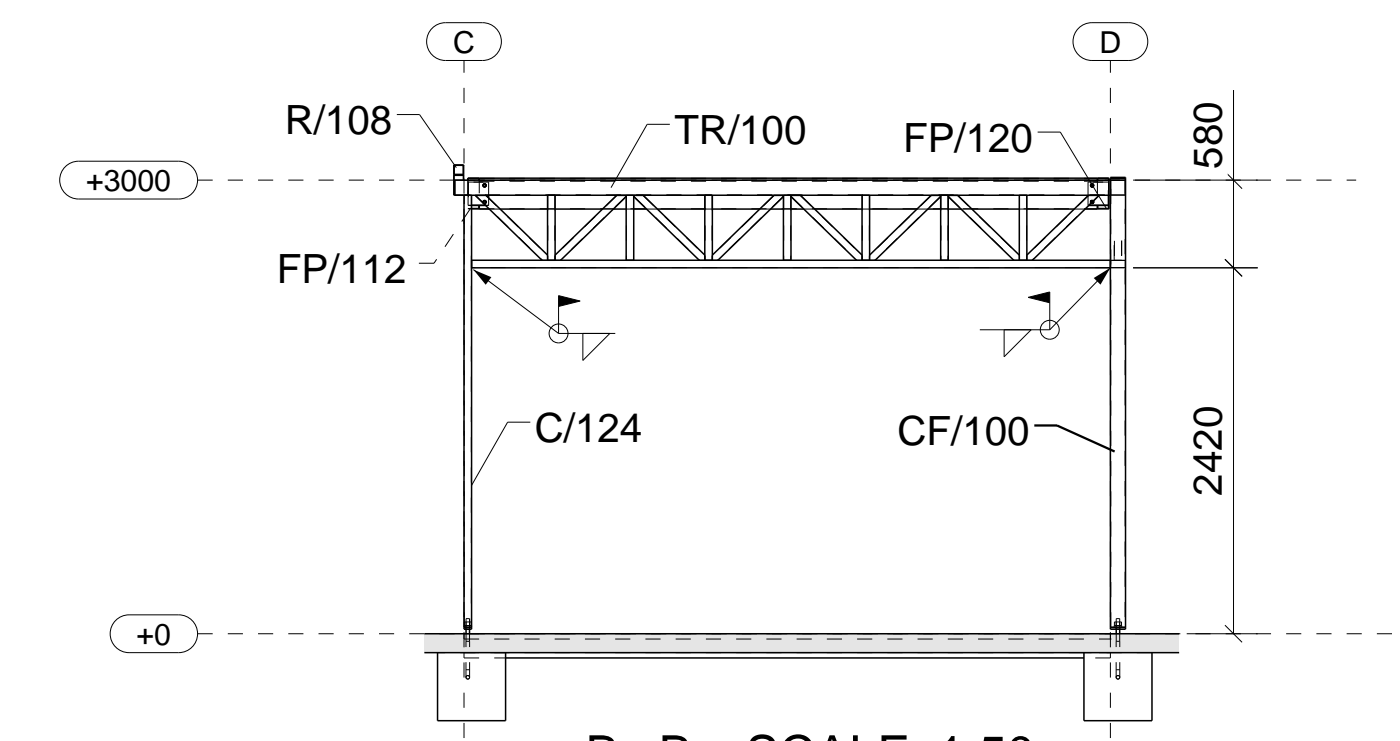


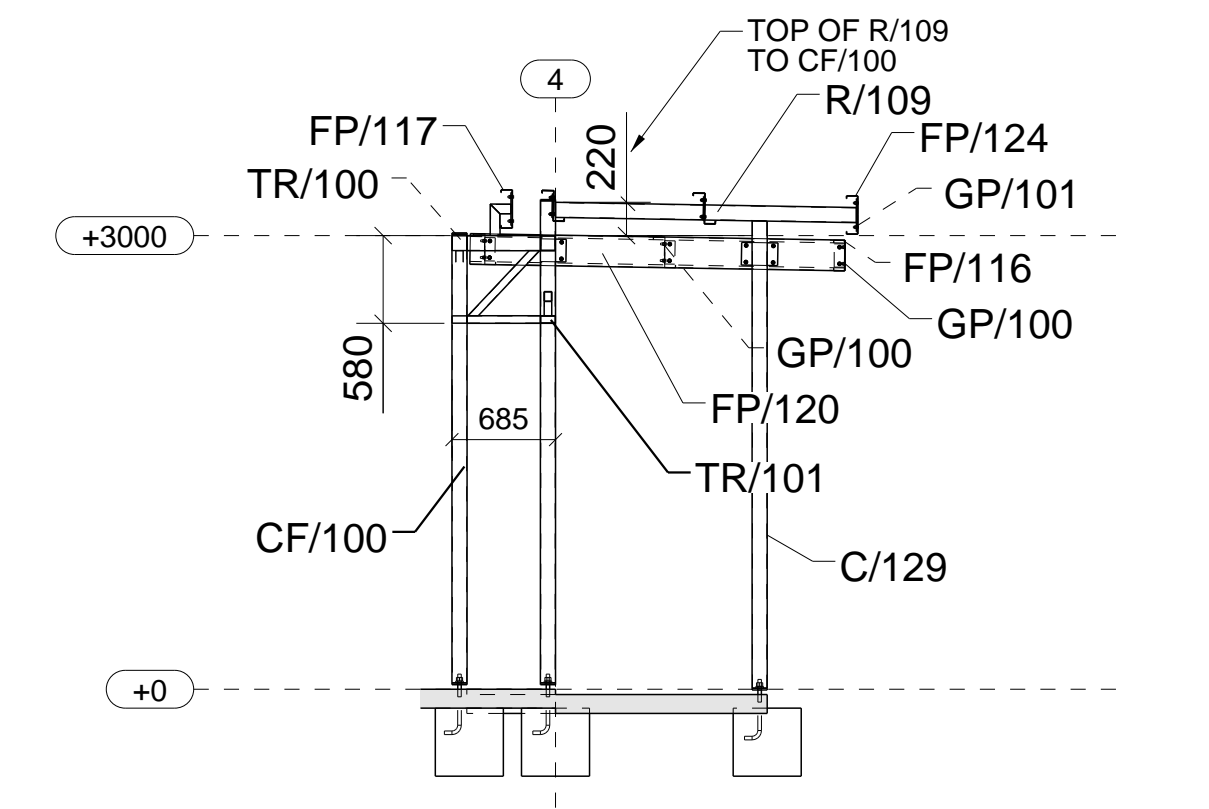
STEEL AND FASCIA PLAN SCALE 1:50



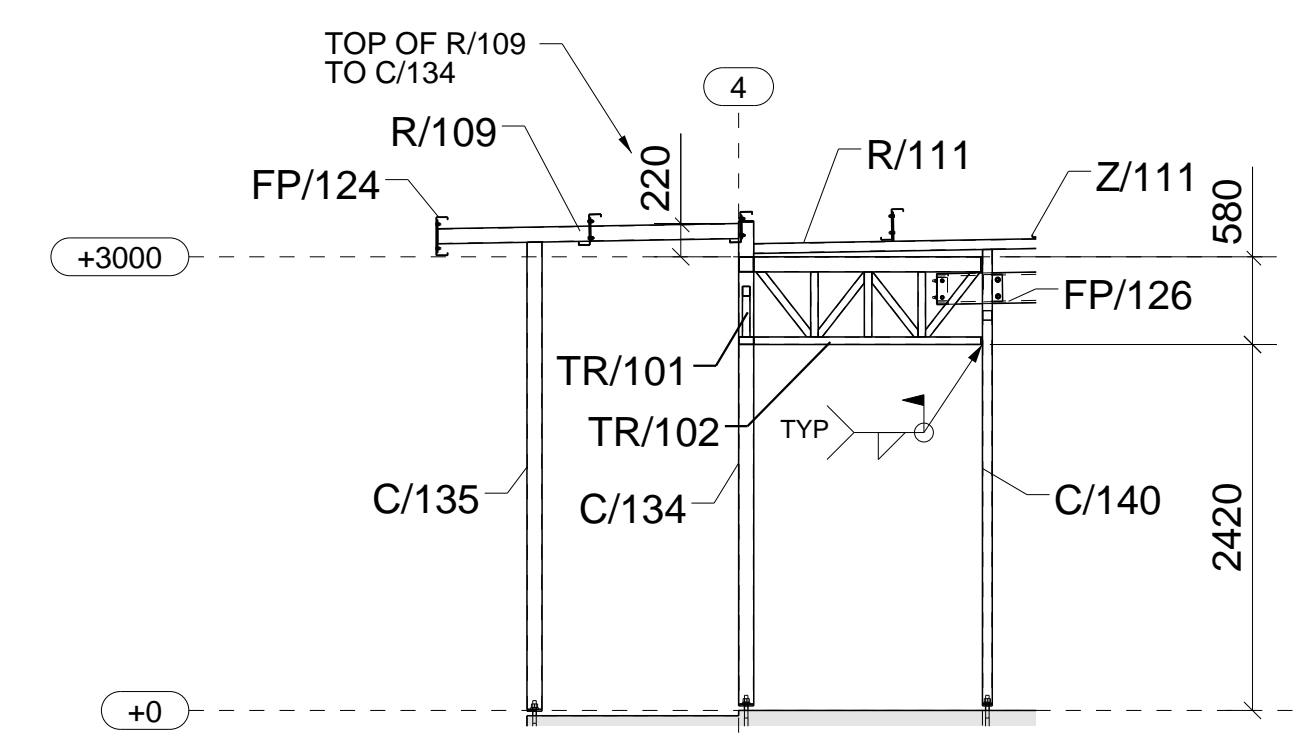
A - A SCALE 1:50



B - B SCALE 1:50



C - C SCALE 1:50



D - D SCALE 1:50

0	28.09.2017	For Construction
REV	DATE	DESCRIPTION
CONFIDENTIAL		
		ASC ATKINS STEELCRAFT PTY LTD Structural steel Detailing Yatala, Q.L.D PH: 07 3807 6424
DRAWING TITLE	STEEL & FASCIA MARKING PLAN	
CONTRACT	QUILPIE AIRPORT	
MODELLED BY	B.A	ISSUE DATE 28.09.2017
CONTRACT NO	100	DRAWING No
SCALE	1:50	MP1
		REV O