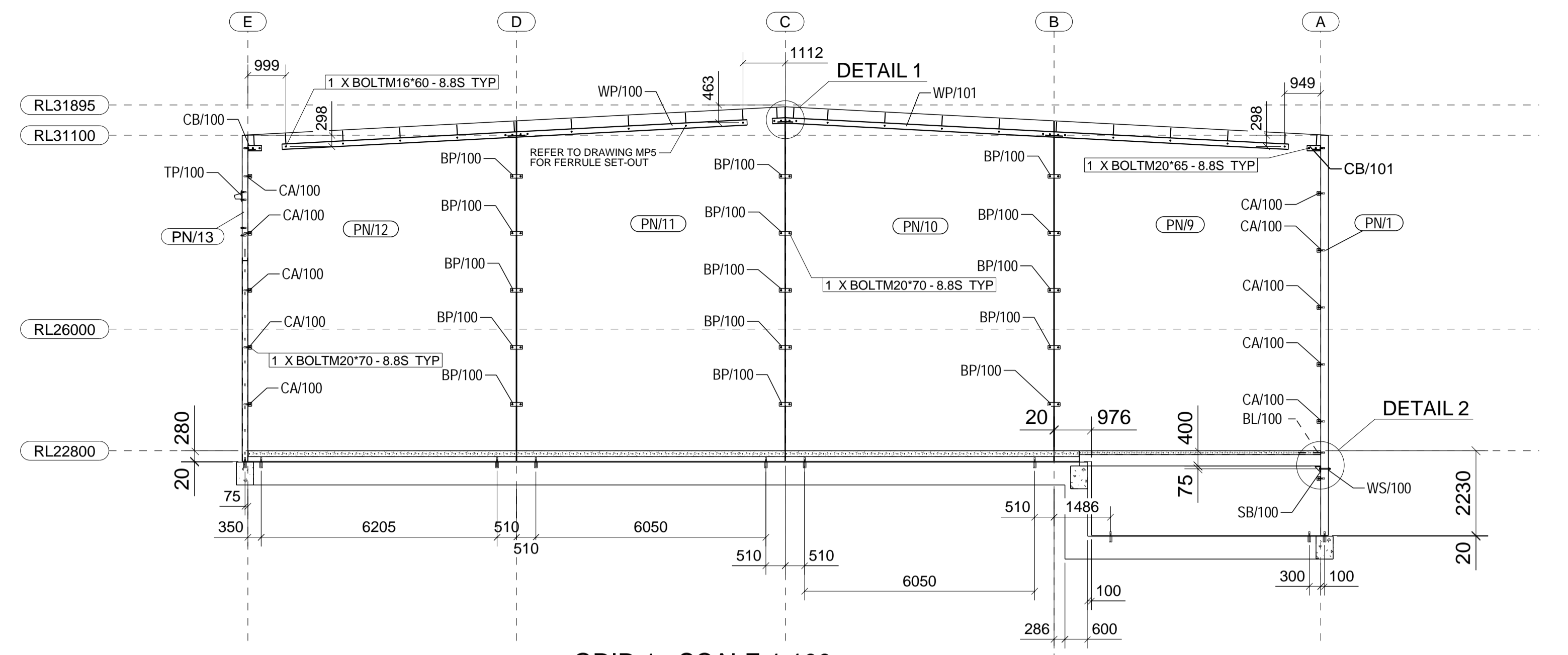
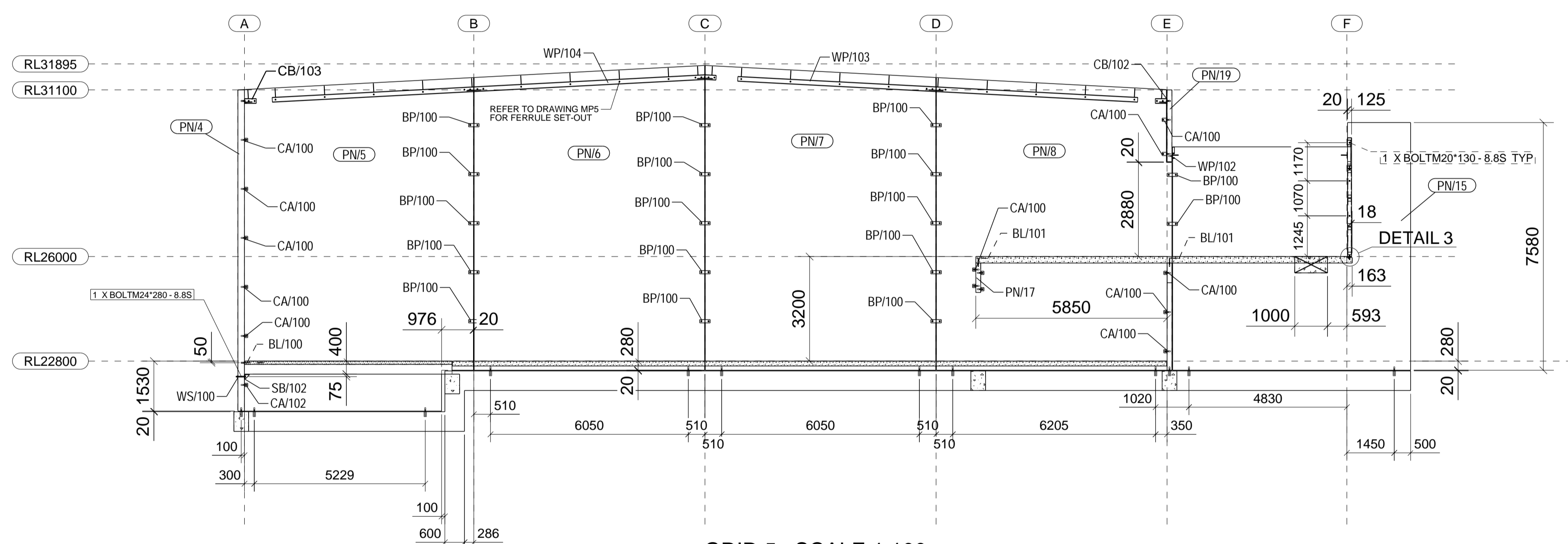


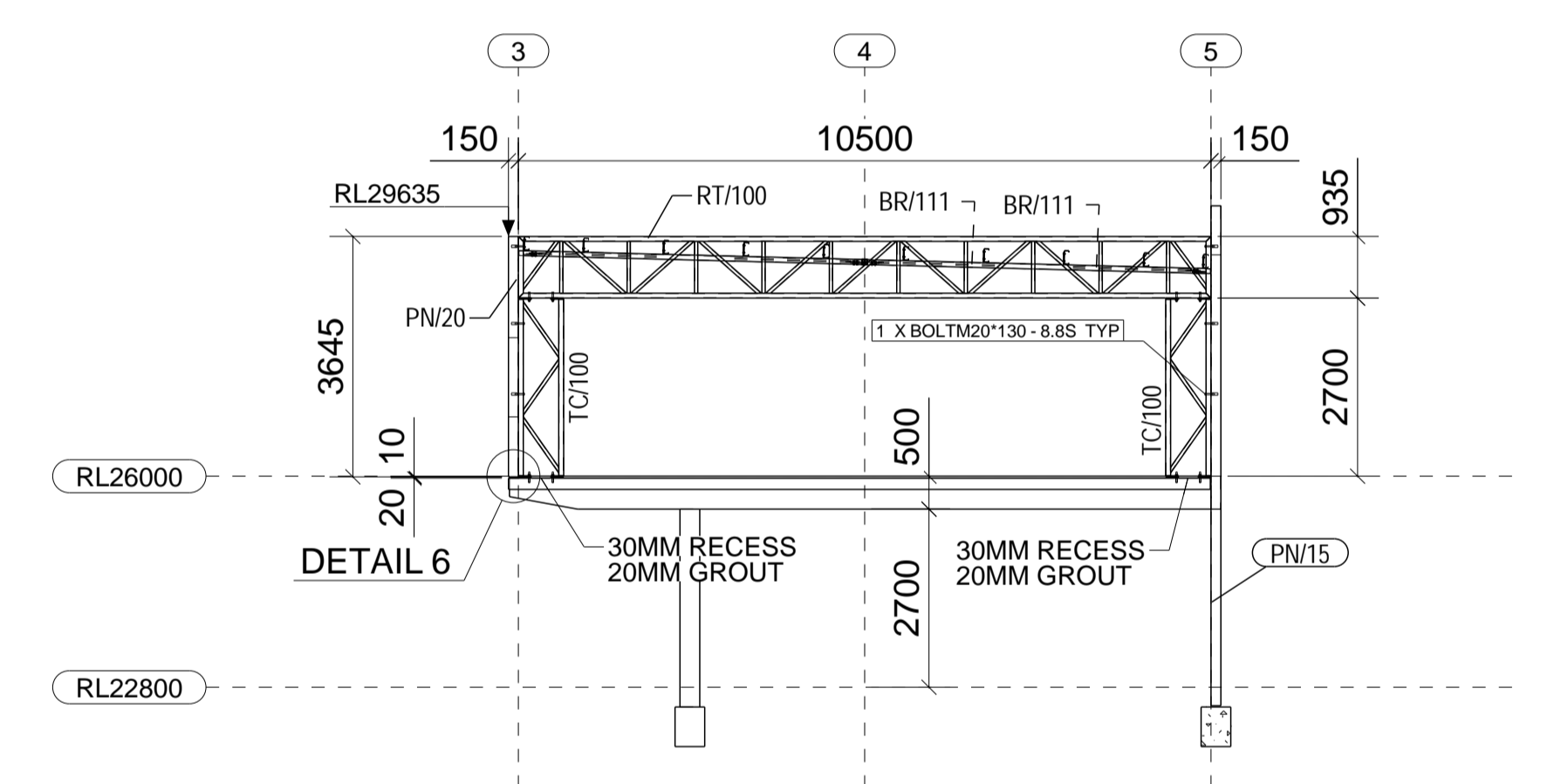
GRID A SCALE 1:100  
A-A



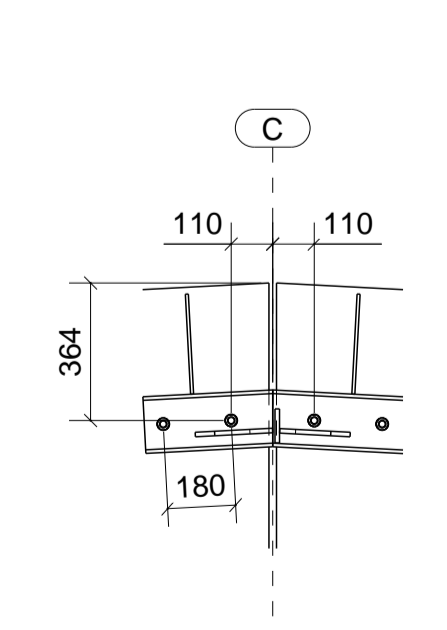
GRID 1 SCALE 1:100  
B-B



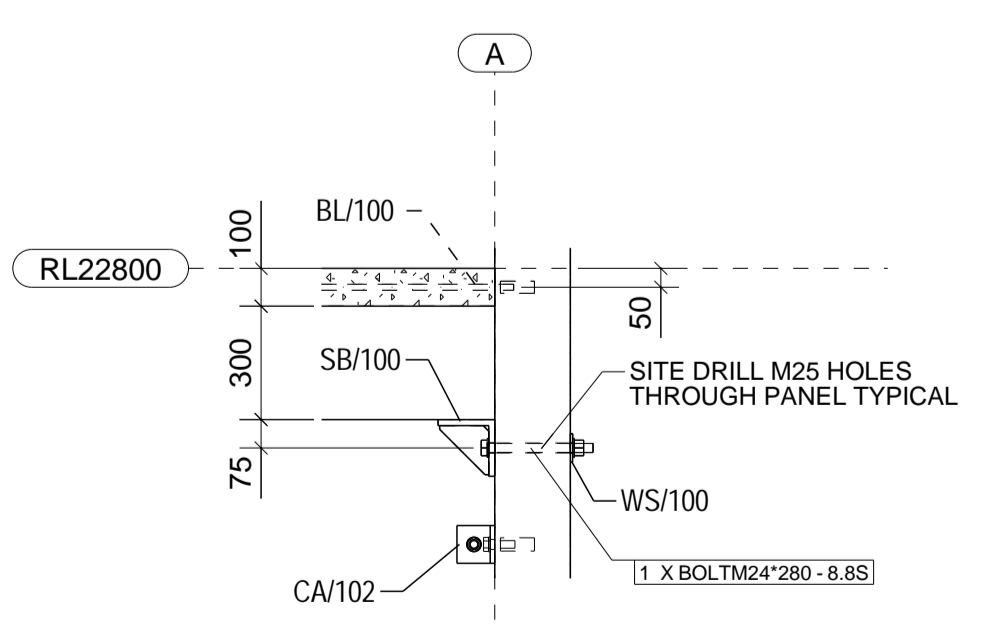
GRID 5 SCALE 1:100  
C-C



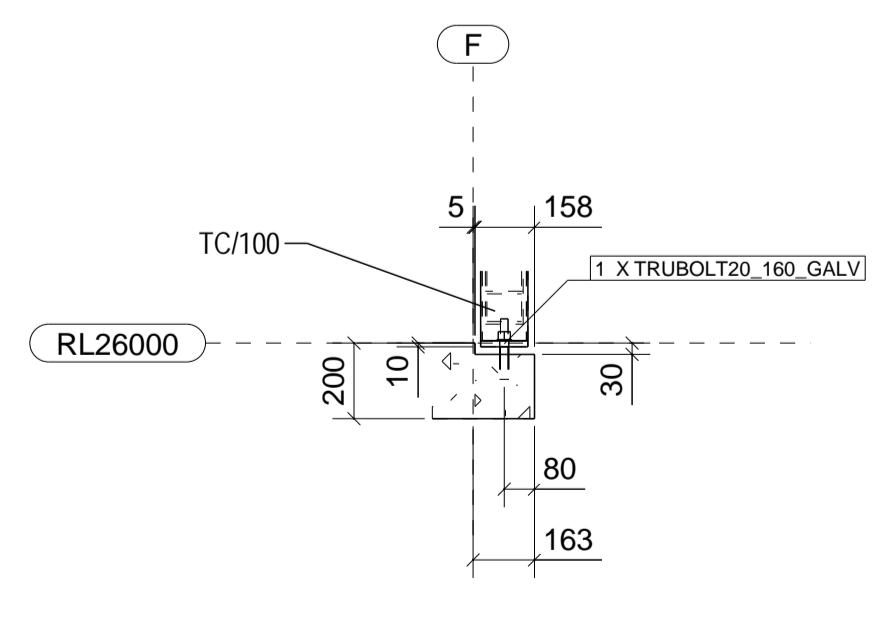
GRID F SCALE 1:100  
D-D



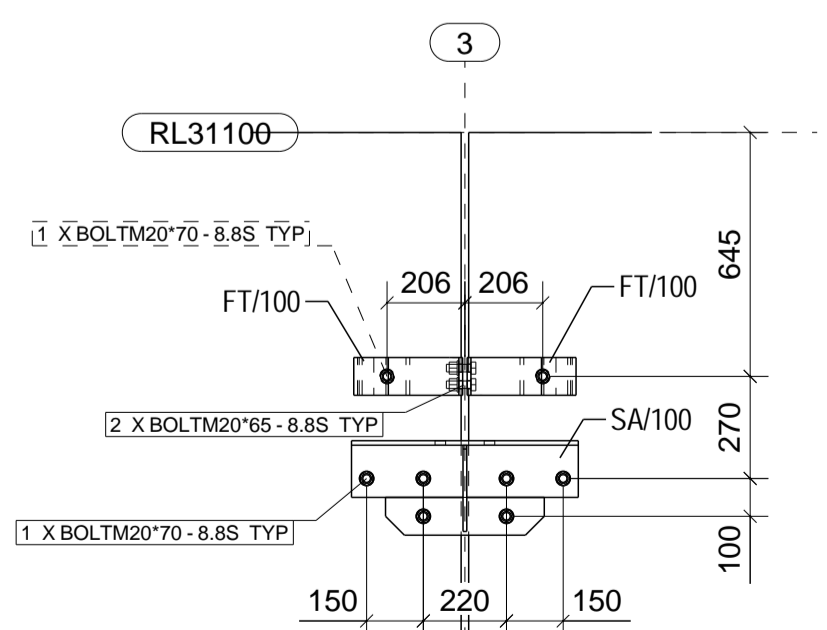
DETAIL-1



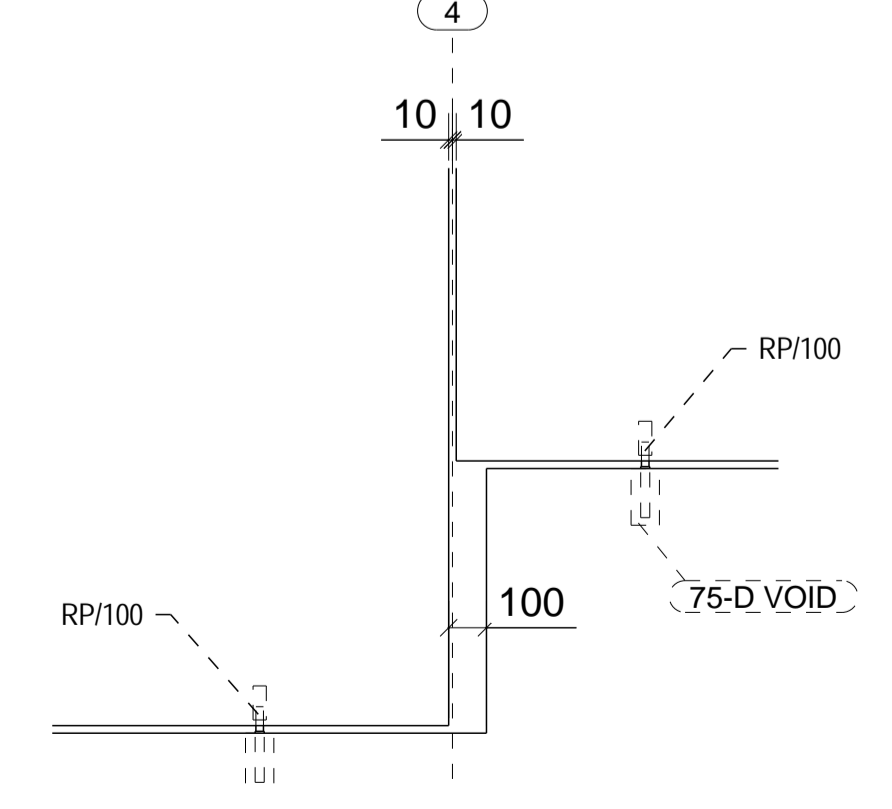
DETAIL-2



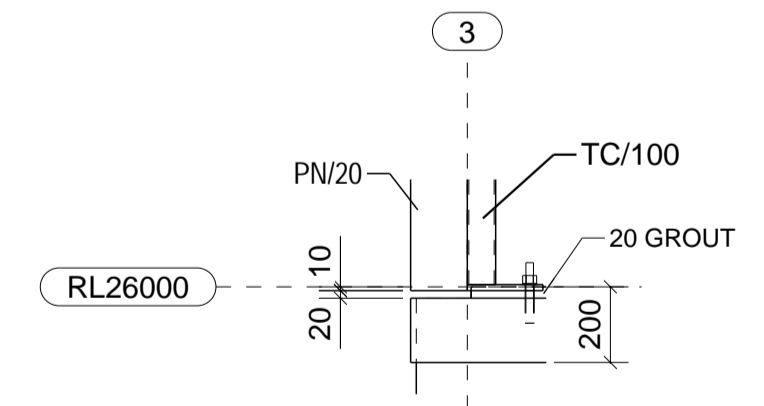
DETAIL-3



DETAIL-4



DETAIL-5



DETAIL-6

ELEVATIONS FROM DRAWING MP1

0	10.10.2016	Issued for construction
REV	DATE	DESCRIPTION
CONFIDENTIAL		
<b>ASC</b> ATKINS STEELCRAFT PTY LTD Structural steel Detailing Yatala, Q.L.D. PH: 07 3807 6424		
DRAWING TITLE		PANEL & FOOTING ELEVATIONS
CONTRACT		
MODELLED BY	B.A.	ISSUE DATE 05.10.2017
CONTRACT NO	100	DRAWING No
SCALE	1:20 1:100	MP2
		REV O