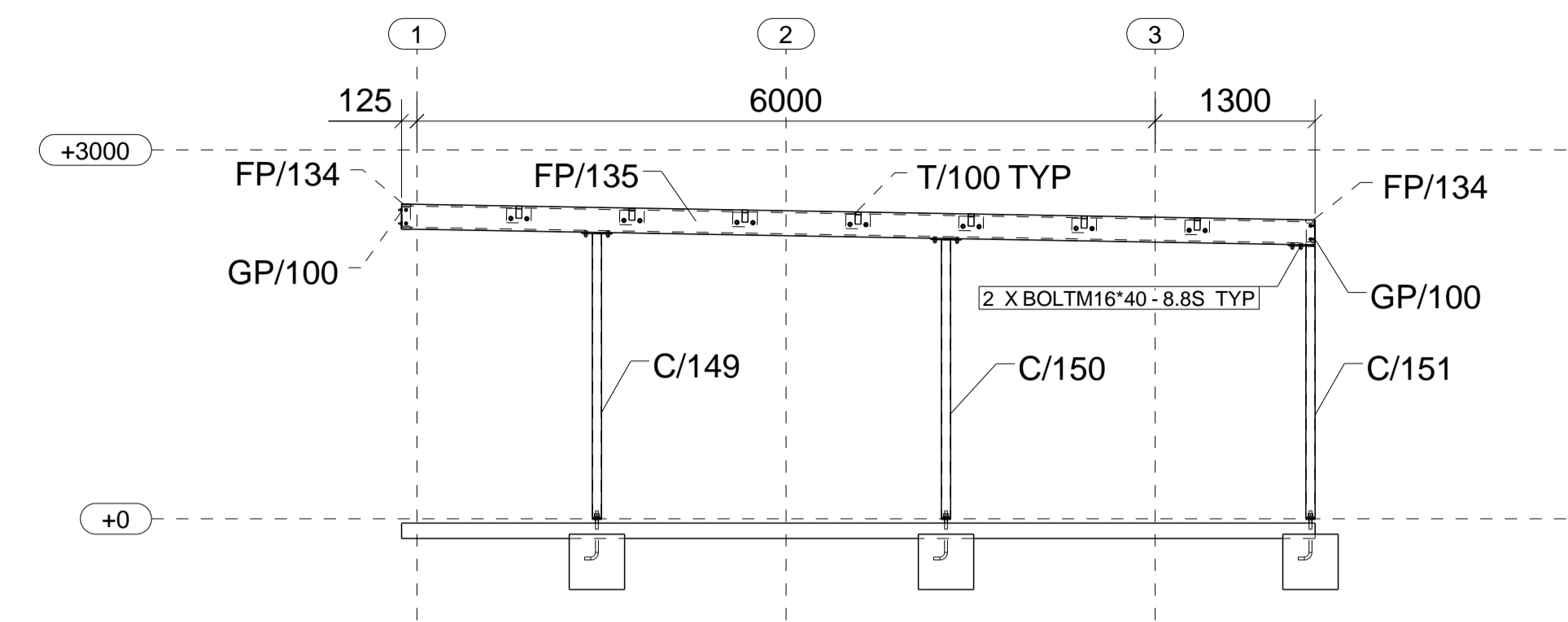
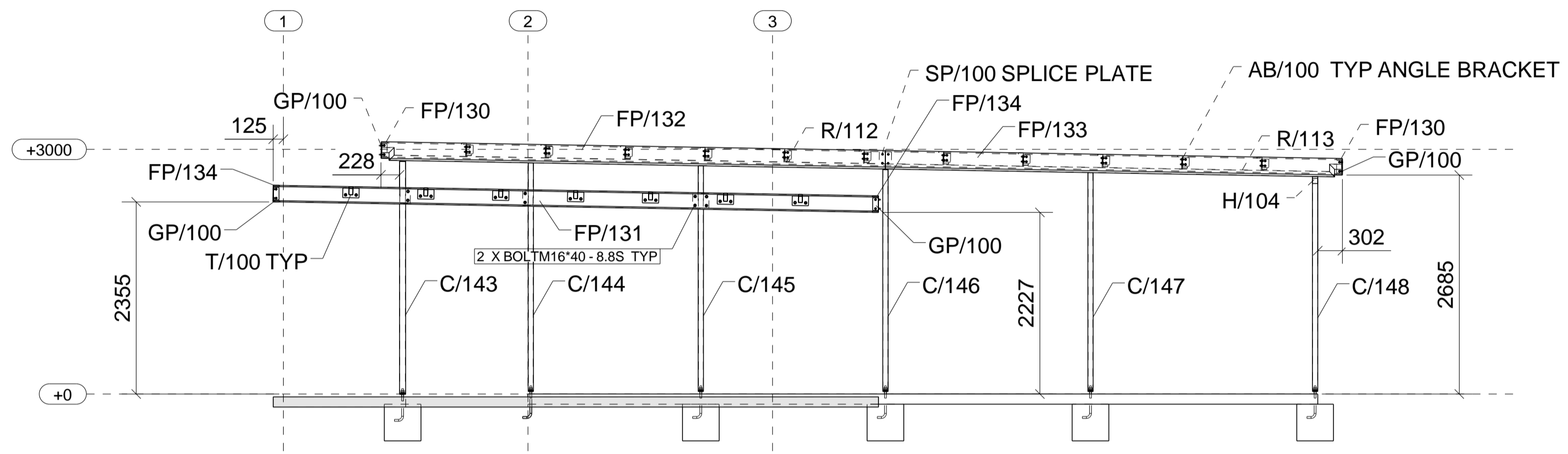


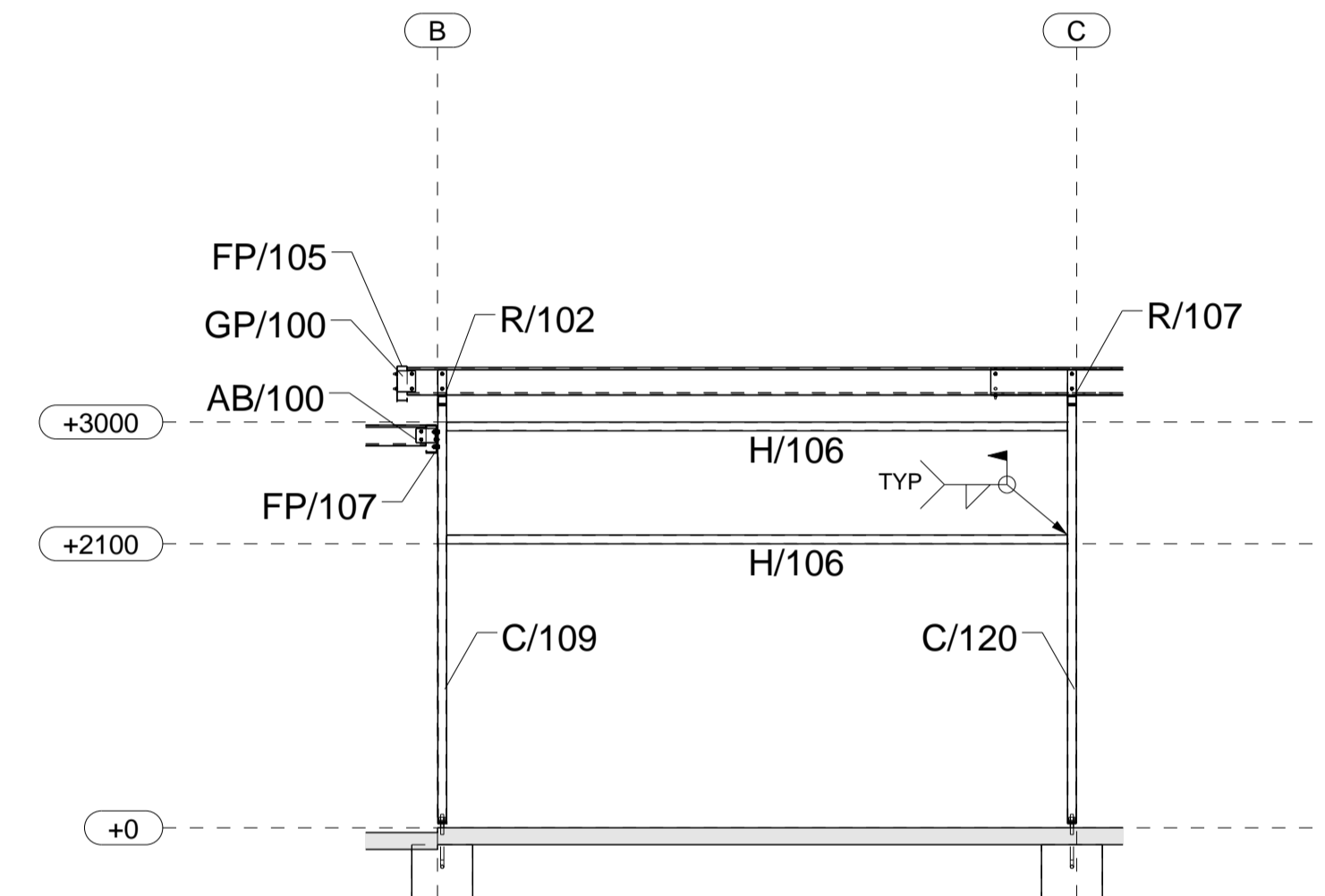
GRID E  
5-5 SCALE 1:50



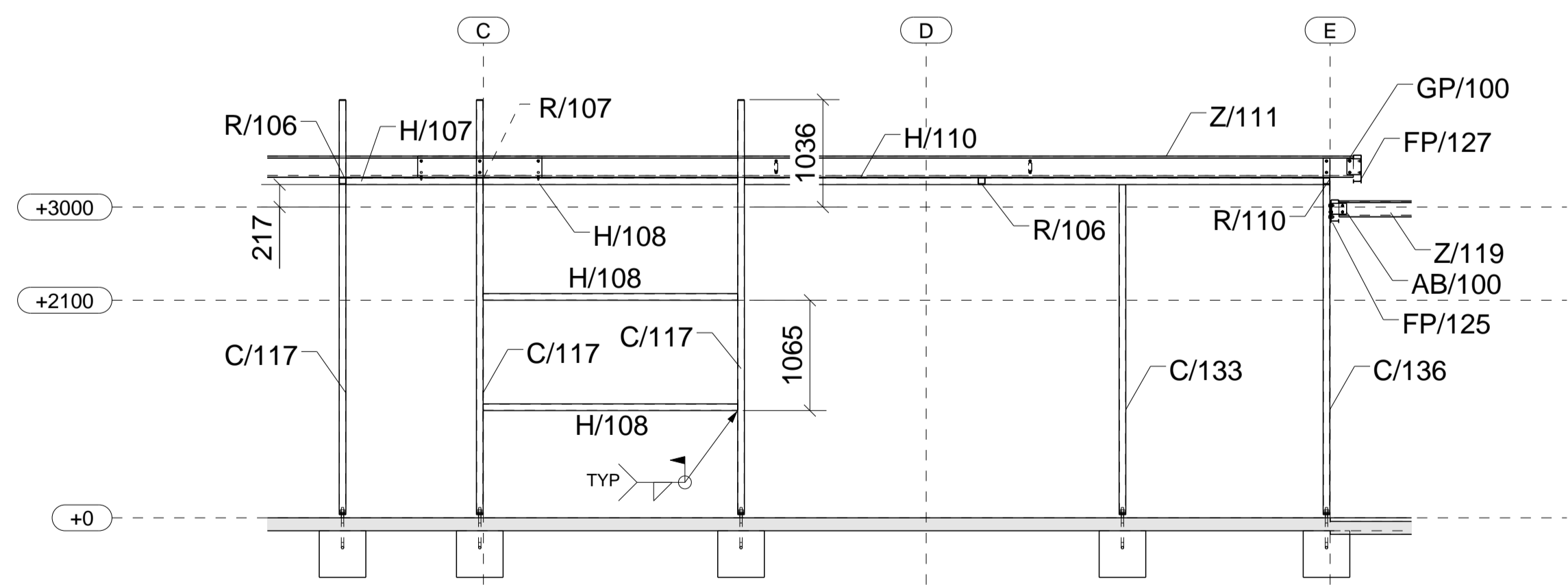
7-7 SCALE 1:50



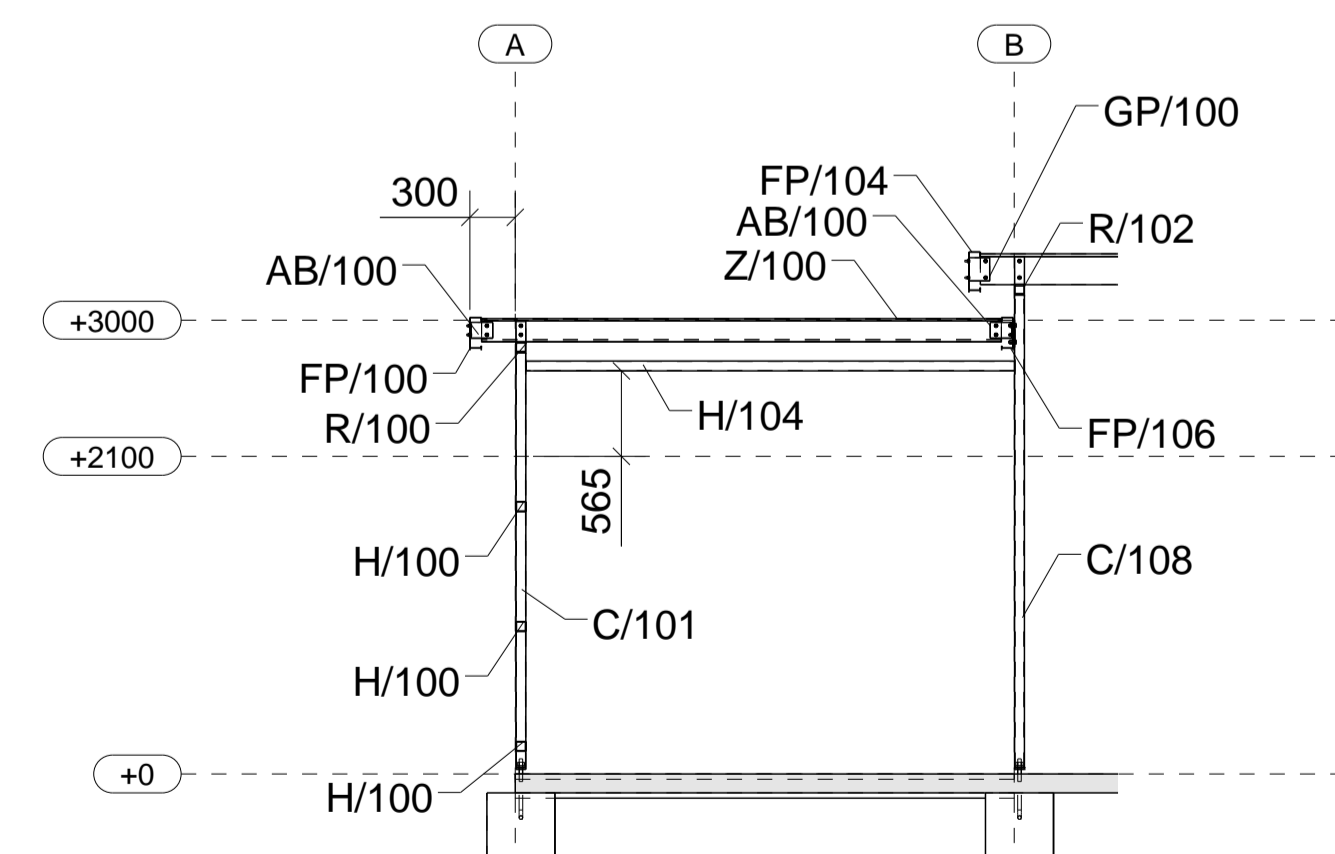
GRID F  
6-6 SCALE 1:50



9-9 SCALE 1:50



10-10 SCALE 1:50



8-8 SCALE 1:50

0	28.09.2017	For Construction
REV	DATE	DESCRIPTION
CONFIDENTIAL		
DRAWING TITLE		ELEVATIONS FROM MP1 & MP2
CONTRACT		QUILPIE AIRPORT
MODELLED BY	B.A	ISSUE DATE 28.09.2017
CONTRACT NO	100	DRAWING No
SCALE	1:50	MP4
		REV O

**ASC**  
ATKINS STEELCRAFT PTY LTD  
Structural steel Detailing  
Yatala, Q.L.D PH: 07 3807 6424